

# 30W ECO RANGE AREA LIGHT



## Features

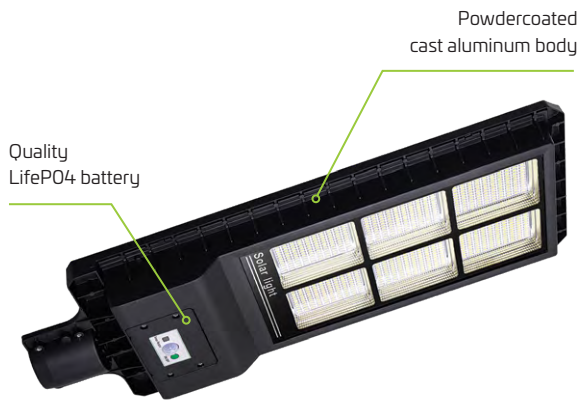
The Eco range of solar area lighting offers cost-effective, automatic dusk to dawn lighting to large areas in light to medium commercial settings. An ideal lighting solution for dog parks, private car parks, driveways and areas that are moderately trafficked. The remote controls ON/OFF, timer and passive infrared (PIR) sensor settings. The P.I.R. is activated by movement and acts as an energy saving/safety feature. The light will operate at a remote selectable output of 25%, 50% or 75% until the PIR is activated where it will operate at 100% until no movement is detected returning to the preselected output. Wall mounting bracket and fixings included.

- Economical range of area lighting
- Equivalent to the output of a 200w halogen fitting
- Automatic dusk to dawn lighting
- > 3 nights autonomy
- IP65 Waterproof design
- Powdercoated cast aluminum body
- Quality LifePo4 battery
- Commercial grade solar lighting
- Post/Wall brackets and fixings included
- Remote controlled timer, P.I.R and light output settings
- 2 year warranty for faulty workmanship or component failure not influenced by external means



Luminaire Height	5 - 7 m
Lumen Output	4800 lm
LED Output	30W

# 30W ECO RANGE AREA LIGHT SPECIFICATION

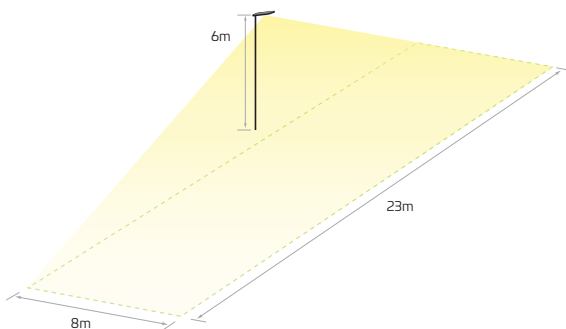


900 x SMD2835 LED

30W solar panel



Lighting Distribution Dimensions



## Applications

An economical lighting solution for areas that are moderately trafficked

## Technical Data

Solar Panel Wattage	30W
LED Output	30W
Lumen Output	4800 lm
Battery Type	LiFePO4
Battery Specifications	48Ah 3.2V (153.6Wh)
Autonomy	> 3 nights
Correlated Colour Temp (CCT)	6000K
Fixture Size	750 x 290 x 75 mm
Light Source	900 x SMD2835
Recharge	6 hours
Mounting Height	5 - 7 metres
Mounting	Wall or post
Finish	Powder-coated Black
Warranty Period	2 years
SKU	SOLL30/ECO

## Mode of Operation

Remote controlled ON/OFF, timer and P.I.R sensor settings. The light will operate at a selected output until the PIR is activated where it will operate at 100%

As we continue to improve the products function and/or design specifications and data provided may change without notice. Errors and omissions accepted.