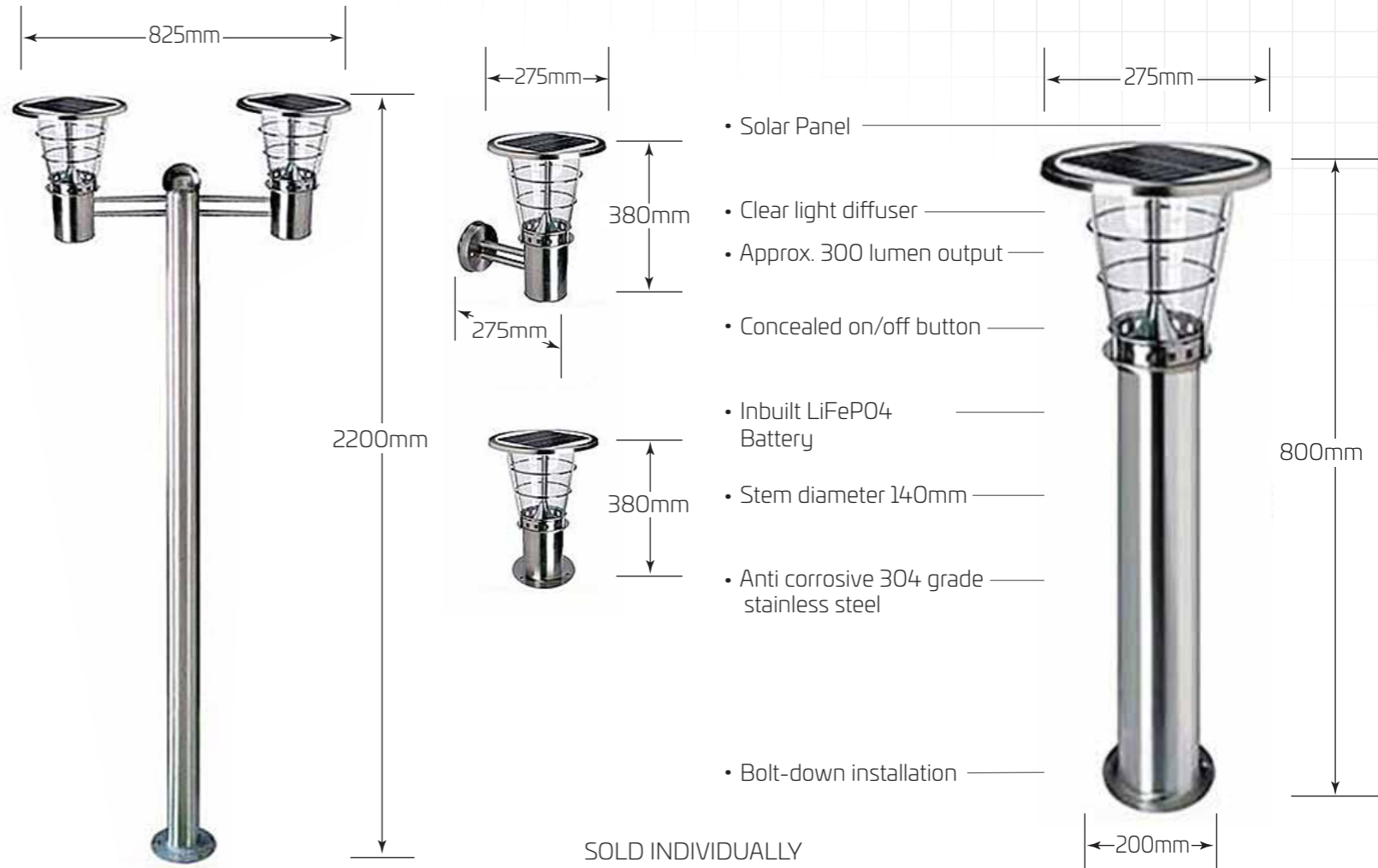




SIRIUS RANGE Polished 304 grade stainless steel finish

Eco Solar Lights



Features

- Commercial grade solar lighting
- Requires 10-12 hrs charge prior to use
- 10 - 12 hours light output per night
- High quality inbuilt LiFePO4 battery
- Attractive modern design
- Ideal for illuminating paths and walkways
- Automatic light sensor turns LEDs on and off for dusk to dawn operation
- Warranty: 1 year warranty for faulty workmanship or component failure not influenced by external means

Specifications

- | | |
|--|--|
| • Pole SOLPOLE0012SS, Wall SOLWALL0012SS, Pillar SOLPILLO12SS, Bollard SOLB012SS | • Solar Panel 9V 4watts |
| • Finish Polished 304 grade stainless steel | • Solar Panel Size 145H x 155Wmm |
| • Charge Time 4-6 hours | • Light Source 36 high intensity LEDs |
| • CCT 4000K (cool white) | • Battery LiFePO4 battery |
| • Size 800, 380, 380, 2200mm | • Material Stainless steel, polycarbonate diffuser |
| • Brightness Approx. 300 lumen output | |

What is a Lumen?

In simple terms, Lumens are a measure of the total amount of visible light from a lamp or light source. The higher the lumen rating, the "brighter" the lamp will appear.

How does this compare with other light sources?

- Familiar examples
- A typical 4 x D cell battery maglite will emit approx. 70 lumens
 - The average hardware style path light using 2-3 LEDs emits 15-18 lumens
 - A 25W incandescent globe emits approximately 160 lumens

