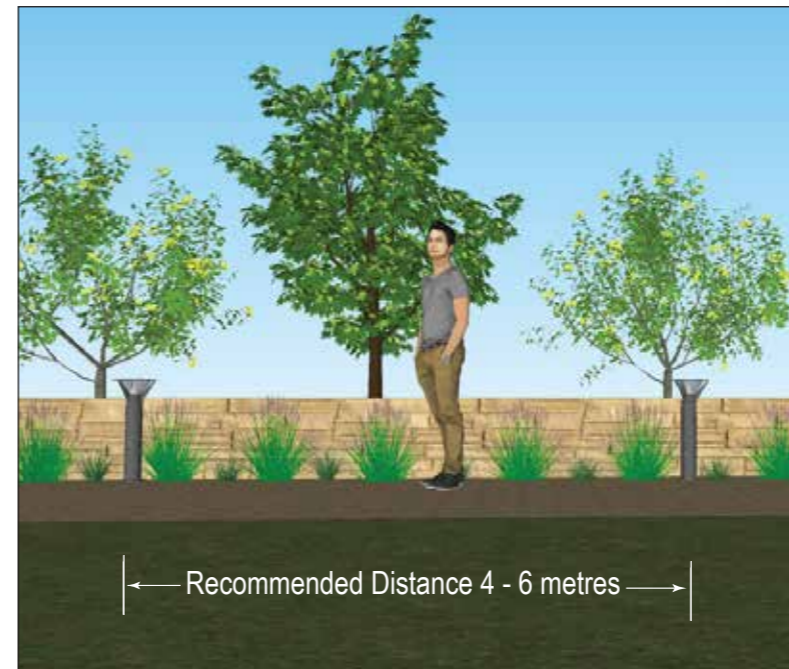
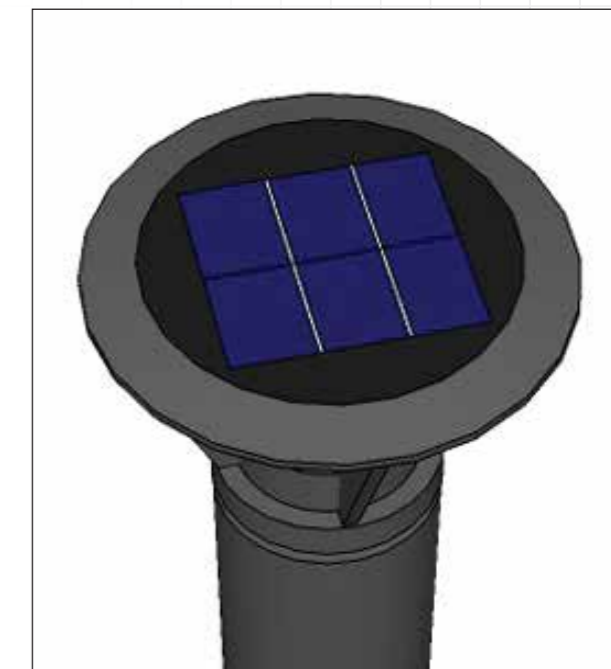




Suitable to fix to most surfaces



Solar panel including light sensor



Features

- Commercial grade solar lighting
- Requires 10-12 hrs charge prior to use
- 10 - 12 hours light output per night
- High quality inbuilt lithium battery
- Attractive modern design
- Ideal for illuminating paths and walkways
- Automatic light sensor turns LEDs on and off for dusk to dawn operation
- Warranty: 3 year warranty for faulty workmanship or component failure not influenced by external means

Specifications - SOLB009

- | | | | |
|----------------|--------------------------|--------------------|--------------------------------------|
| • Colour | Powdercoat satin grey | • Solar Panel | 9V 2.5 watts |
| • Charge Time | 4-6 hours | • Solar Panel Size | 1250H x 140Wmm |
| • CCT | 4000K (cool white) | • Light Source | 18 high intensity LEDs |
| • Bollard Size | 800H x 275Wmm (top) | • Battery | 7.4V/4400mah inbuilt lithium battery |
| • Brightness | Approx. 200 lumen output | • Material | Aluminium, polycarbonate diffuser |

What is a Lumen?

In simple terms, Lumens are a measure of the total amount of visible light from a lamp or light source. The higher the lumen rating, the "brighter" the lamp will appear.

How does this compare with other light sources?

- Familiar examples
- A typical 4 x D cell battery maglite will emit approx. 70 lumens
 - The average hardware style path light using 2-3 LEDs emits 15-18 lumens
 - A 25W incandescent globe emits approximately 160 lumens



18 LEDs encased in clear light diffuser



3 x fixing points



1300 76 52 65

www.solarbollards.eco

sales@solarbollards.eco

