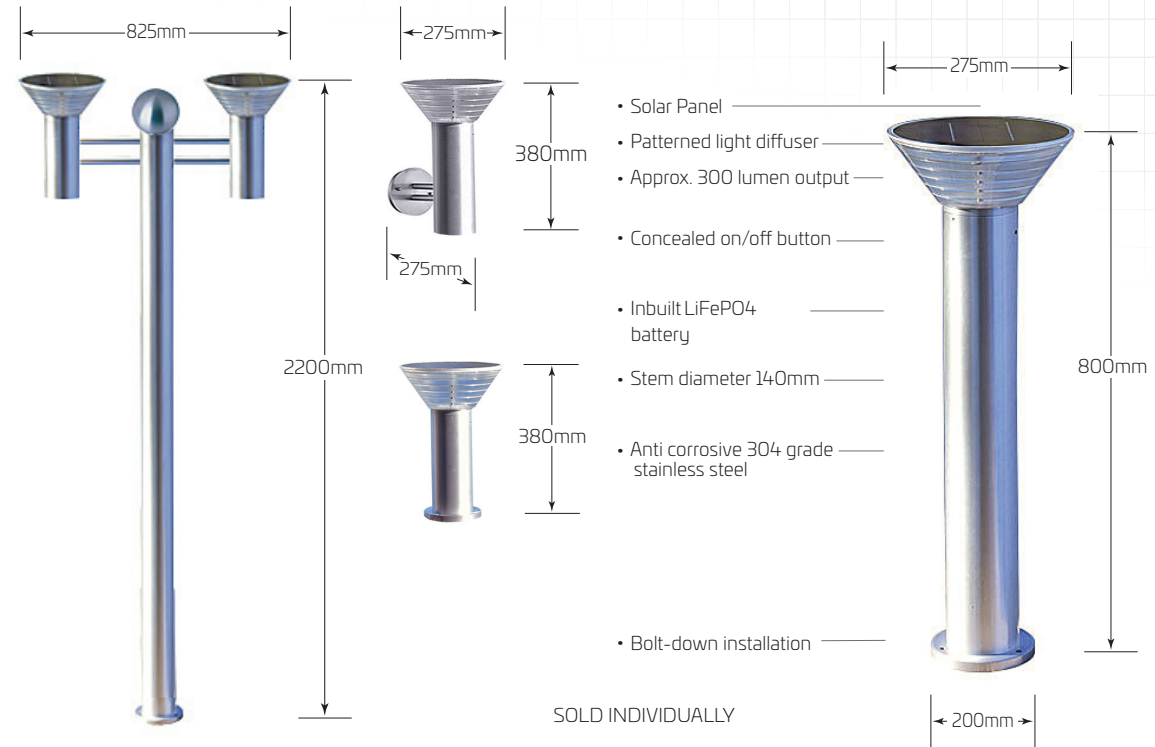




ORION RANGE Premium brushed aluminium finish

Eco Solar Lights



Features

- Commercial grade solar lighting
- Requires 10 - 12 hrs charge prior to use
- 10 - 12 hours light output per night
- High quality inbuilt LiFe PO4 battery
- Attractive modern design
- Ideal for illuminating paths and walkways
- Automatic light sensor turns LEDs on and off for dusk to dawn operation
- Warranty: 1 year warranty for faulty workmanship or component failure not influenced by external means

Specifications Pole SOLPOLE002ALU, Wall SOLWALL002ALU, Pillar SOLPILLO02ALU, Bollard SOLB002ALU

- | | | | |
|---------------|---------------------------|--------------------|------------------------------------|
| • Finish | Premium brushed aluminium | • Solar Panel | 9V 4 watts |
| • Charge Time | 4-6 hours | • Solar Panel Size | 150H x 160Wmm |
| • CCT | 4000K (cool white) | • Light Source | 36 high intensity LEDs |
| • Size | 800, 380, 380, 2200mm | • Battery | LiFePO4 battery |
| • Brightness | Approx. 300 lumen output | • Material | Aluminium , polycarbonate diffuser |

What is a Lumen?

In simple terms, Lumens are a measure of the total amount of visible light from a lamp or light source. The higher the lumen rating, the "brighter" the lamp will appear.

How does this compare with other light sources?

- Familiar examples
- A typical 4 x D cell battery maglite will emit approx. 70 lumens
 - The average hardware style path light using 2-3 LEDs emits 15-18 lumens
 - A 25W incandescent globe emits approximately 160 lumens

