

ORION "PREMIUM" REMOTE CONTROL BOLLARD

(RBG + COOL, DAYLIGHT, OR WARM LED)



Features

This premium product provides exceptional dusk to dawn constant output lighting for commercial bollard lighting applications. The lamp housing is manufactured from moulded high impact polycarbonate, this combined with a stem and baseplate of powdercoated aluminium and tamper proof security fixings ensure the product is able to withstand the elements and is suitable for installation in public spaces. The supplied remote allows for complete customisation of the product, from the lumen output and colour of the LED's (colour wheel selectable) + Warm (3000k) daylight (4000k) or cool (6000k) LED C.C.T to the hours of operation after dusk. The selected program will be repeated nightly until changed. One remote controls up to 40 lights.

Impact resistant solar lighting bollard

High rating for resistance to physical impact

Hidden switch selectable, warm, daylight, or cool LED

> 3 nights autonomy

IP65 Waterproof design

Re-enforced aluminium bollard and baseplate

Custom bollard stem colours available

Premium grade solar bollard lighting

Symmetrical light pattern

Stainless steel tamper proof fixings

Australian Standard P4 compliant

Automatic dusk to dawn lighting

2 year warranty for faulty workmanship or component failure not influenced by external means



Luminaire Height 900 mm

Lumen Output >360 lm

LED Output 2.5W

ORION "PREMIUM" SOLAR BOLLARD SPECIFICATION

RBG + COOL, DAYLIGHT, OR WARM LED

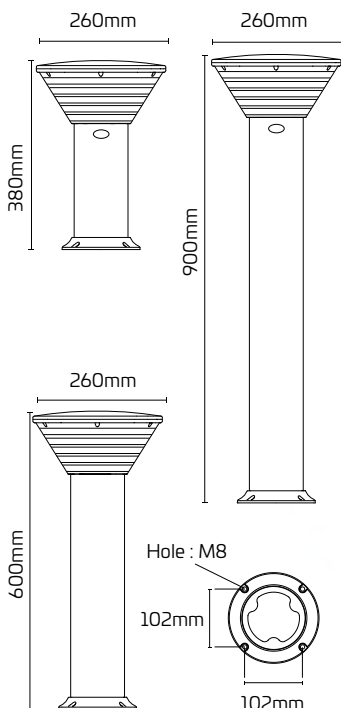
6.2W solar panel

48 x Osram 5050 LED

Powdercoated aluminum stem
Custom colours available

Reinforced baseplate and
optional tamperproof fixings

Alternative bollard stem lengths



Applications

Premium solar bollard lighting applications

Technical Data

Solar Panel Wattage	6.2W
LED Output	2.5W
Lumen Output	>360 lm
Battery Type	LiFePO4
Battery Specifications	12AH 3.2V (38.4Wh)
Autonomy	> 3 nights
Fixture Size	900 x 260 x 110 mm
Light Source	48 x Osram 5050
Recharge	4-6 hours
Mounting Height	900mm
Mounting	Baseplated or Inground
Finish	Powder-coated black (standard)
Warranty Period	2 years
SKU	SOLB001/PRE

Mode of Operation

Hidden switch, Warm (3000k), Daylight (4000k), or cool (6000k) LED CCT (colour) selectable + ON/OFF functions.

2.4G wireless touch remote control



RGBCW Colour (Remote Control)



As we continue to improve the products function and/or design specifications and data provided may change without notice. Errors and omissions accepted.