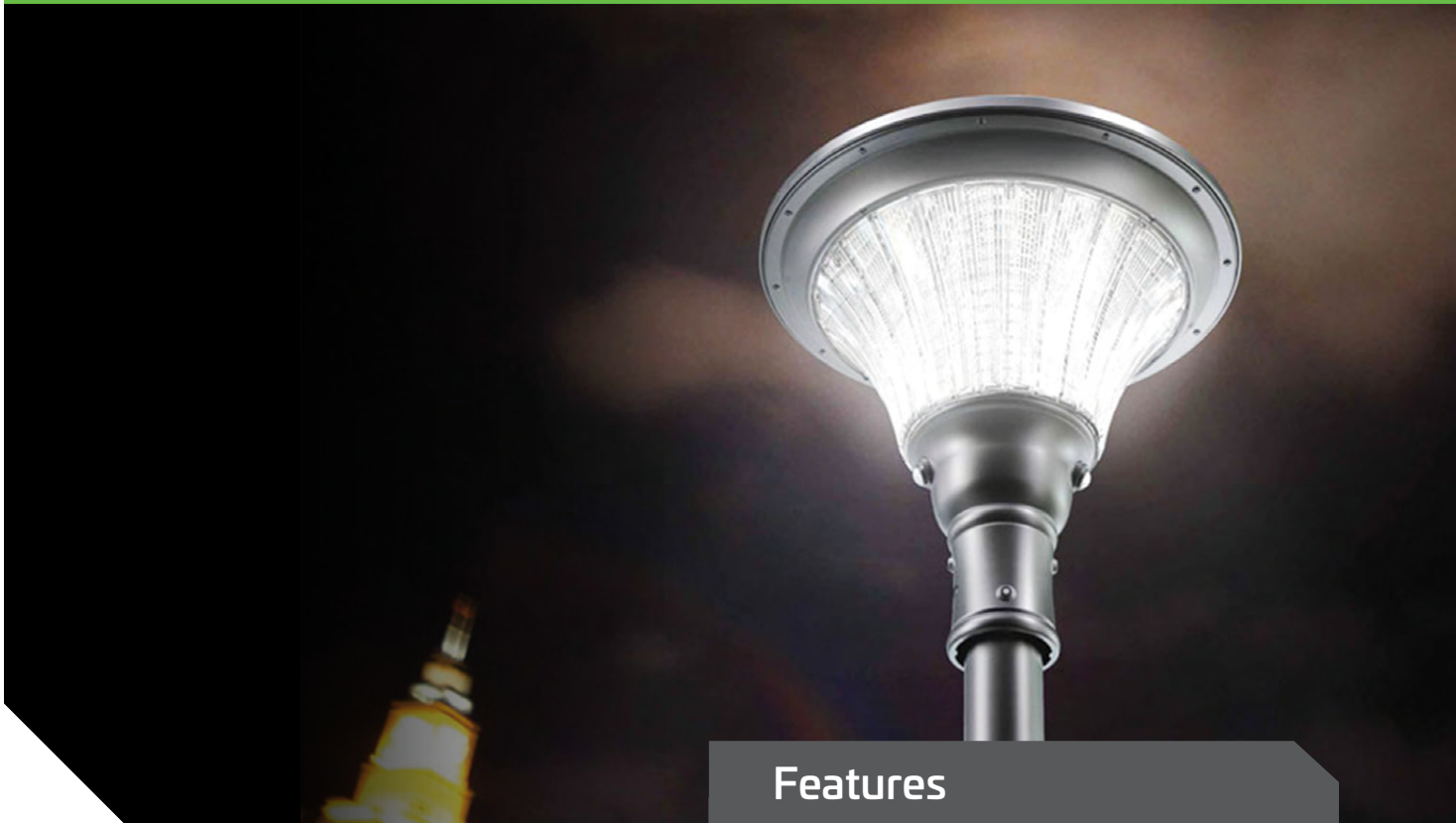


ALPHA 6 SOLAR LANDSCAPE LIGHT



Features

The Alpha range of solar courtyard and landscape lighting has been designed to be aesthetically pleasing and functional with exceptional light output over a wide area. With the body of the light manufactured from cast aluminium with a powdercoated finish they are well protected from the elements. The smart lighting control programming ensures superior dusk to dawn lighting without the need for trenching, cabling or an electrician. Designed for use in parks, gardens, driveways, courtyards, these lights will provide a functional feature in the landscape.

Stylish and functional solar lighting

Automatic dusk to dawn lighting

Ideal for illuminating courtyards, walkways and medium-sized areas

Premium LifePO4 battery

Integrated all-in-one design

Mounting height of 3- 4 metres

Fully sealed cast aluminium body in a powder coated black finish

Premium-grade solar lighting

Custom powder coated poles manufactured on request

IK10 impact resistant lens and body

2 year warranty for faulty workmanship or component failure not influenced by external means

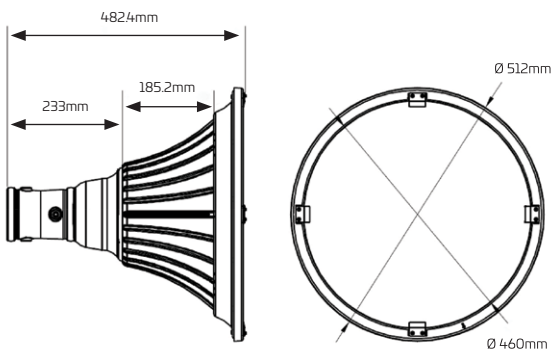


Luminaire Height 3 - 4m

Lumen Output 2000 lm

LED Output 20 W

ALPHA 6 SOLAR LANDSCAPE LIGHT SPECIFICATION



Applications

Parks and gardens | Landscape lighting | Walkways

Technical Data

Solar Panel Wattage	18.5W
LED Output	20W
Lumen Output	2000 lm
Battery Type	LiFePO4
Battery Specifications	14.8V 75AH (111 Wh)
Autonomy	>5 Nights
Correlated Colour Temp (CCT)	6000K
Fixture Size	482 (w) x 233 (w) 185 (h) mm
Light Source	Osram 3030
Recharge	6 hours
Mounting Height	3 - 4 metres
Mounting	90mm column - 76mm Spigot
Finish	Powder-coated cast aluminium
Warranty Period	2 years
SKU	SOLL018

Mode of Operation

Intelligent light control and P.I.R (passive infrared) sensor activated. P.I.R is activated by movement. First 5 hours at a constant output of 1000Lm then 250Lm and P.I.R activated to 2000lm until dawn.

As we continue to improve the products function and/or design specifications and data provided may change without notice. Errors and omissions accepted.