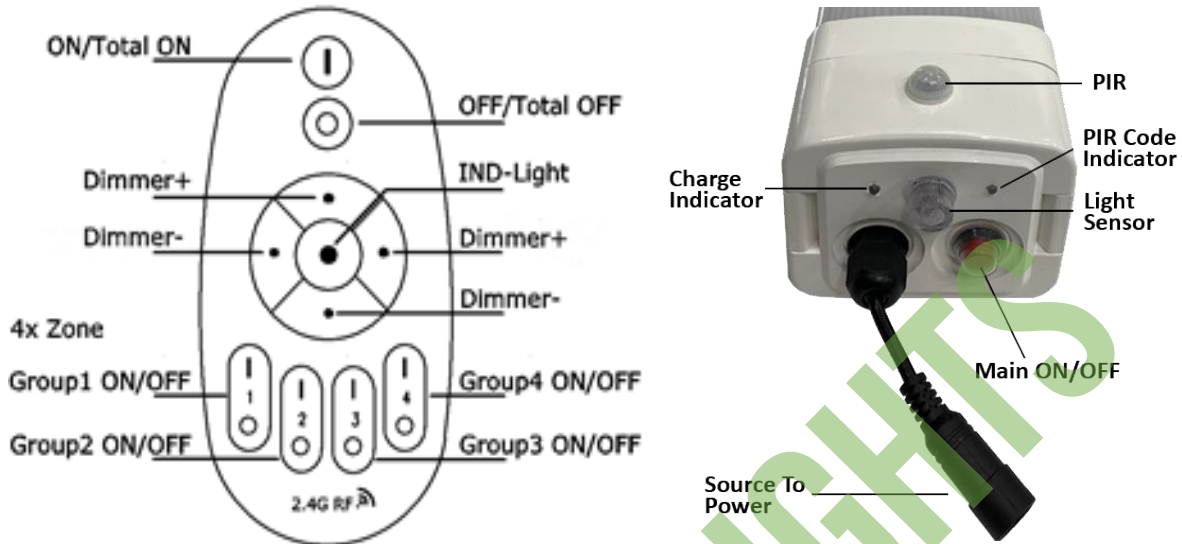

SOLAR LIGHTING DESIGNS 30W SOLAR BATTEN LIGHT INSTRUCTION



The solar lighting designs solar batten light is designed for multiple applications and offers several modes of operation to accommodate these applications, furthermore additional individual features are available within these modes of operation.

Mode 1: Remote controlled ON/OFF and dimmable. This is the simplest mode of operation. If you only wish the light to operate by remote, day or night only set this program.

- With this mode of operation, the light can be turned ON/OFF and dimmed by remote (PIR "Passive "Infrared" sensor activated by movement and Light sensor are not activated)
- Several lights can be easily connected to one remote to be operated individually or as one group.
- The light can operate during the day, i.e. when solar panel is exposed to sunlight

Mode 1, Programming procedure, single solar light head.

1. Begin with solar light head switched off, light head control panel facing you. No indicator lights should be visible
2. Whilst continually holding the group 1 ON button ("1" is ON "0" is OFF) push the power button on the light head in and release, continue to hold the group 1 ON button.
3. The solar light head will light and flash gently three times indicating the program has been accepted
4. Release the group 1 button.
5. The light can now be turned ON/OFF with the main "1" and "0" at the top of the remote or with the group 1 button and the output can be changed using the dimmer controls.

Mode 1, Programming procedure, multiple solar light heads

First solar Light head

1. Program as detailed above then turn OFF at the main power button on the light head.

Second and subsequent solar Light heads

2. Whilst continually holding the group 2 ON button (“I” is ON “O” is OFF) push the power button in and release, continue to hold the group 2 ON button.
3. The solar light head will light and flash gently three time indicating the program has been accepted
4. Switch on both light heads
5. Both solar lights heads can now be turned ON/OFF together using the main “I” and “O” at the top of the remote or individually using the group ON/OFF button assigned to each unit.
6. Both solar lights heads can now be dimmed together using the dimmer controls or individually by turning ON the group 1 light(s), dimming to the desired level, turn OFF the group 1 light.
7. Then turn ON the group 2 light(s), dim to the desired level, turning OFF the group 2 light.
8. The programming contains a memory so the dim selection for each light will be remembered when the lights are turned on.

Add additional solar light heads to group 3 and group 4 in the same manner as detailed above. More than one solar light head can be added to any/all the groups

Mode 2: Remote controlled ON/OFF and dimmable, PIR and Light Sensor are activated.

- With this mode of operation, the light can be turned ON/OFF and dimmed by remote, PIR (“Passive “Infrared”) sensor is activated by movement, the light will remain ON whilst there is movement detected and turn OFF when no movement is detected)
- Light sensor is activated
- Several lights can be easily connected to one remote to be operated individually or as one group.
- The light can operate during the day, even when solar panel is exposed to sunlight

Mode 2 is AUTO mode the light heads will operate in the following manner.

Mode of operation – Night (No sun on the solar panel)

- At night (no sun on the panel) and with the light head in a darkened room (No ambient light detected by the light sensor) the light head will turn ON and remain ON as long as movement is detected by the PIR.
- At night (no sun on the panel) and with the light head in a lit room (Ambient light detected by the light sensor) the light head will not turn on automatically as the light sensor detects sufficient ambient light. This setting can be overwritten by turning the light head ON with the remote where the light will then remain ON until manually switched OFF.

Mode of operation – Day (Sun on the solar panel)

- During the day (sun on the panel) and with the light head in a darkened room (No ambient light detected by the light sensor) the light head will turn ON and remain ON as long as movement is detected by the PIR.
- During the day (sun on the panel) and with the light head in a lit room (Ambient light detected by the light sensor) the light head will not turn on automatically as the light sensor detects sufficient ambient light. This setting can be overwritten by turning the light head ON with the remote where the light will then remain ON until manually switched OFF.

Mode 2 - Programming procedure, single solar light head.

Step 1:

1. Program as detailed in Mode 1, Programming procedure.

Step 2:

1. Turn OFF the solar light head using the main power switch on the light head
2. Whilst continually holding the main ON button ("I" is ON "O" is OFF) push the power button on the light head in and release, continue to hold the main ON button. The green indicator light will flash three times to show the code has been accepted. The PIR and light sensor are now activated.

Mode 2, Programming procedure, multiple solar light heads

First solar Light head

1. Program as detailed above then turn OFF at the main power button on the light head

Second and subsequent solar Light heads

2. Program as detailed in Mode 1, Programming procedure.

Step 2:

1. Turn OFF the solar light head using the main power switch on the light head
2. Whilst continually holding the main ON button ("I" is ON "O" is OFF) push the power button on the light head in and release, continue to hold the main ON button. The green indicator light will flash three times to show the code has been accepted. The PIR and light sensor are now activated.

After the above coding is complete the individual light heads programmed to the same remote will *all* turn ON when movement is detected the PIR on *any* of the light heads.

Add additional solar light heads to group 3 and group 4 in the same manner as detailed above. More than one solar light head can be added to any/all the groups

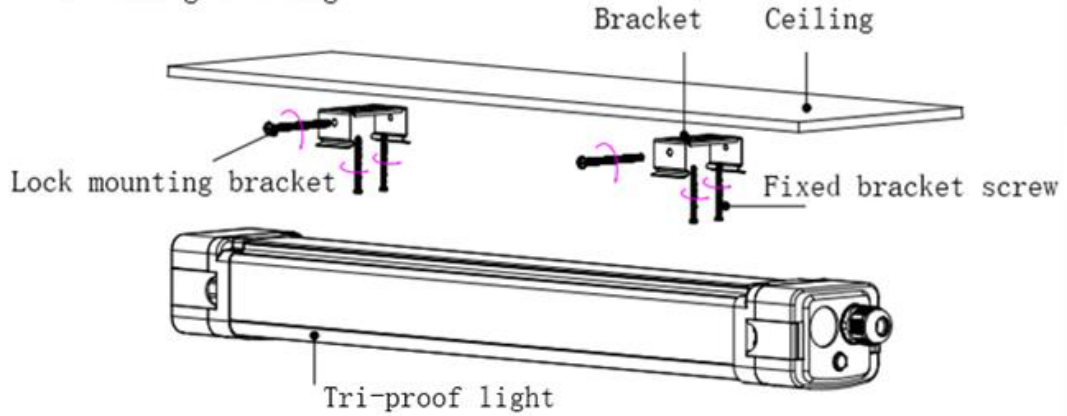
It is advisable to dim the lights to the lowest level possible to provide satisfactory lighting, this will ensure the battery retains charge for a longer period

If assistance is required please call 1300 76 52 65

Installation detail

Installation mode

1. Ceiling mounting



2. Suspended install

